



**TRANSPORTATION CABINET**

Frankfort, Kentucky 40622  
www.transportation.ky.gov/

**Steven L. Beshear**  
Governor

**Michael W. Hancock, P.E.**  
Secretary

September 21, 2015

CALL NO. 402  
CONTRACT ID NO. 152608  
ADDENDUM # 2

Subject: Pulaski County, 100GR15M067-FE02  
Letting September 25, 2015

- (1) Added - Detail Sheets - Pages 32(a)-32(c) of 70
- (2) Revised - Bid Items - Page 70 of 70

Proposal revisions are available at <http://transportation.ky.gov/Construction-Procurement/>.

If you have any questions, please contact us at 502-564-3500.

Sincerely,

A handwritten signature in cursive script that reads "Rachel Mills".

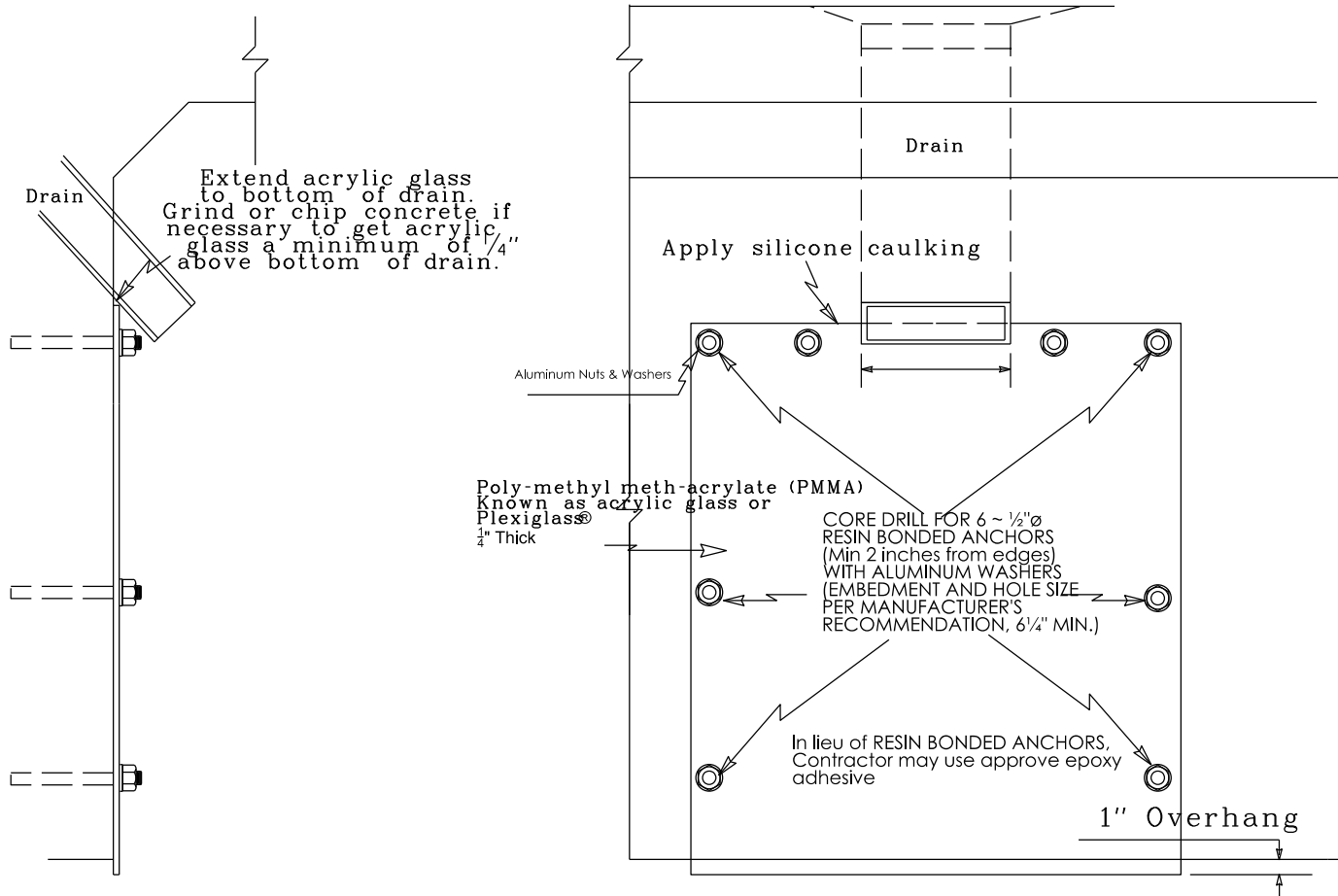
Rachel Mills, P.E.  
Director  
Division of Construction Procurement

RM:ks  
Enclosures



An Equal Opportunity Employer M/F/D

# ACRYLIC GLASS DETAIL

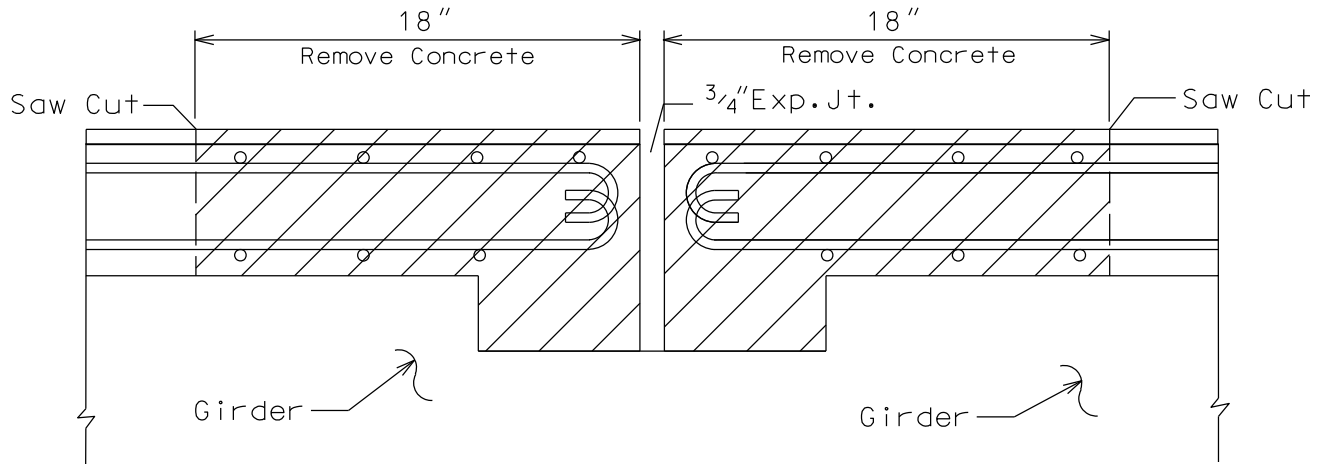


SECTION  
NOT TO SCALE

PLAN  
NOT TO SCALE

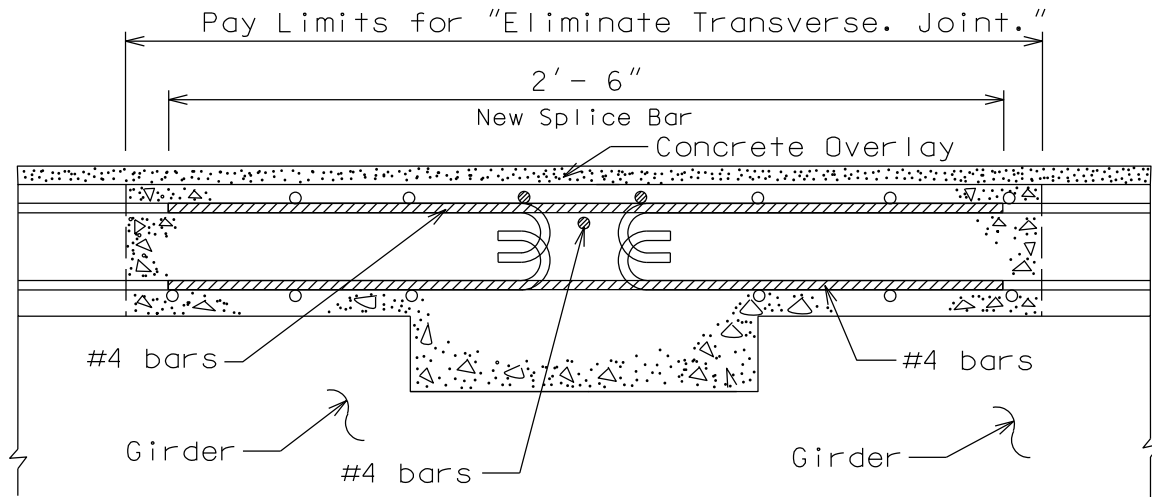
100B00060N 20 drains, 15"x30" pieces = 62.5 sqft

# ELIMINATE TRANSVERSE JOINT DETAIL



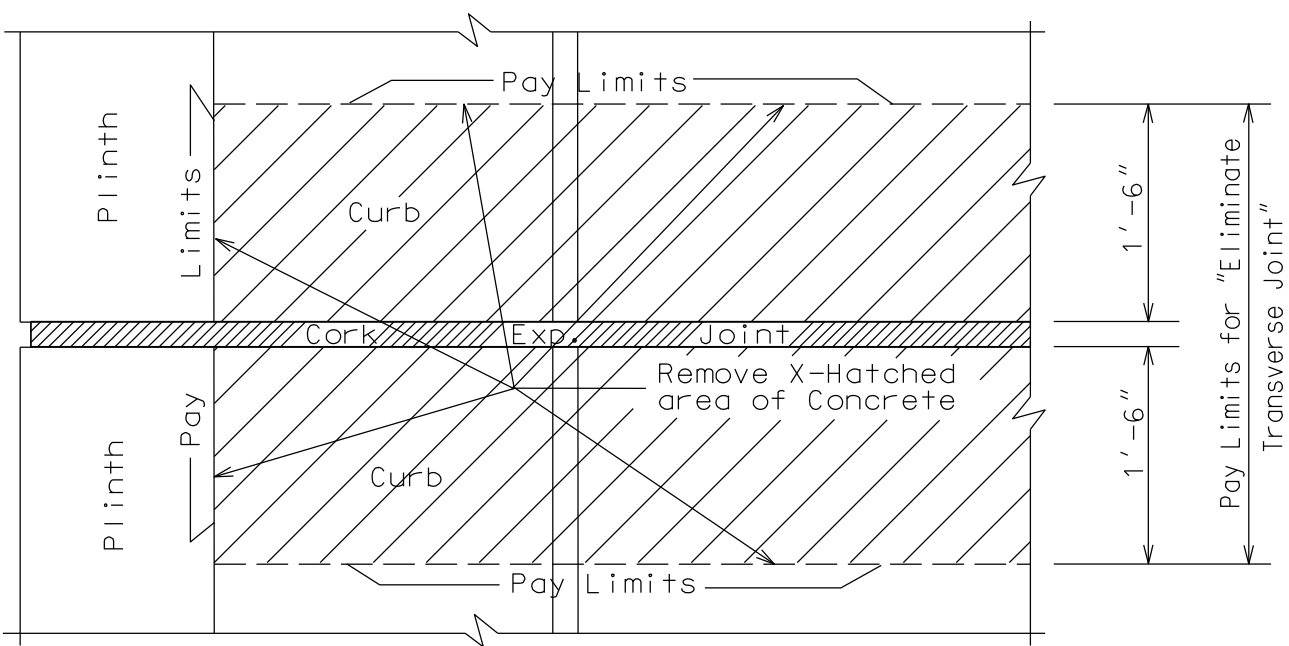
NOTE: Do not disturb existing Steel Reinforcement

## EXISTING SECTION @ Transverse Joint

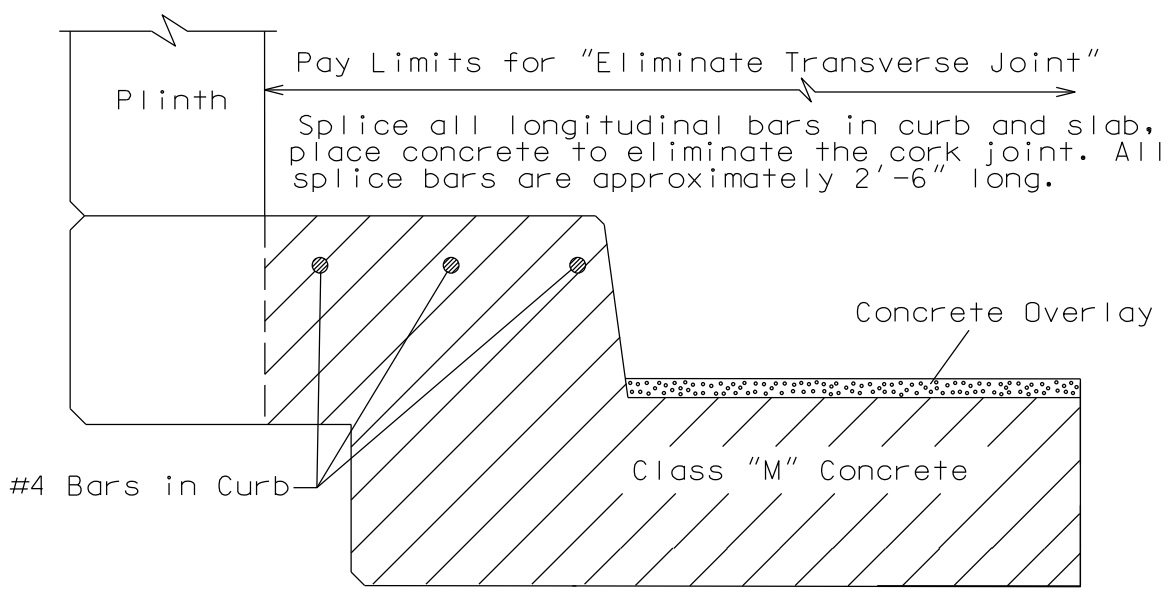


## PROPOSED SECTION @ Transverse Joint

# ELIMINATE TRANSVERSE JOINT DETAIL



## EXISTING PLAN VIEW @ CURB



## PROPOSED SECTION @ CURB

## PROPOSAL BID ITEMS

Report Date 9/21/15

### Section: 0001 - BRIDGE

LINE	BID CODE	ALT	DESCRIPTION	QUANTITY	UNIT	UNIT PRIC	FP	AMOUNT
0010	02562		TEMPORARY SIGNS	447.00	SQFT		\$	
0020	02650		MAINTAIN & CONTROL TRAFFIC APPLIES TO 100B00060N	1.00	LS		\$	
0030	02650		MAINTAIN & CONTROL TRAFFIC APPLIES TO 100B00067L	1.00	LS		\$	
0040	02650		MAINTAIN & CONTROL TRAFFIC APPLIES TO 100B00067R	1.00	LS		\$	
0050	02653		LANE CLOSURE	6.00	EACH		\$	
0060	03295		EXPAN JOINT REPLACE 2 IN	48.00	LF		\$	
0070	03296		EXPAN JOINT REPLACE 2 1/2 IN	120.70	LF		\$	
0080	03299		ARMORED EDGE FOR CONCRETE	168.70	LF		\$	
0090	03300		ELIMINATE TRANSVERSE JOINT	112.00	LF		\$	
0100	03304		BRIDGE OVERLAY APPROACH PAVEMENT	1,333.34	SQYD		\$	
0110	04933		TEMP SIGNAL 2 PHASE (REVISED: 9-15-15)	1.00	EACH		\$	
0120	04934		TEMP SIGNAL MULTI PHASE	2.00	EACH		\$	
0130	06514		PAVE STRIPING-PERM PAINT-4 IN	1,576.70	LF		\$	
0140	06549		PAVE STRIPING-TEMP REM TAPE-B	1,500.00	LF		\$	
0150	06550		PAVE STRIPING-TEMP REM TAPE-W	3,000.00	LF		\$	
0160	06551		PAVE STRIPING-TEMP REM TAPE-Y	6,000.00	LF		\$	
0170	08150		STEEL REINFORCEMENT	2,004.00	LB		\$	
0180	08504		EPOXY SAND SLURRY	282.70	SQYD		\$	
0190	08510		REM EPOXY BIT FOREIGN OVERLAY	507.00	SQYD		\$	
0200	08526		CONC CLASS M FULL DEPTH PATCH	10.00	CUYD		\$	
0210	08534		CONCRETE OVERLAY-LATEX	86.70	CUYD		\$	
0220	08549		BLAST CLEANING	2,365.00	SQYD		\$	
0230	08551		MACHINE PREP OF SLAB	1,574.00	SQYD		\$	
0240	23879EC		ACRYLIC GLASS (REVISED: 9-21-15)	62.50	SQFT		\$	
0250	24094EC		PARTIAL DEPTH PATCHING	61.30	CUYD		\$	

### Section: 0002 - DEMOBILIZATION

LINE	BID CODE	ALT	DESCRIPTION	QUANTITY	UNIT	UNIT PRIC	FP	AMOUNT
0260	02569		DEMOBILIZATION	1.00	LS		\$	